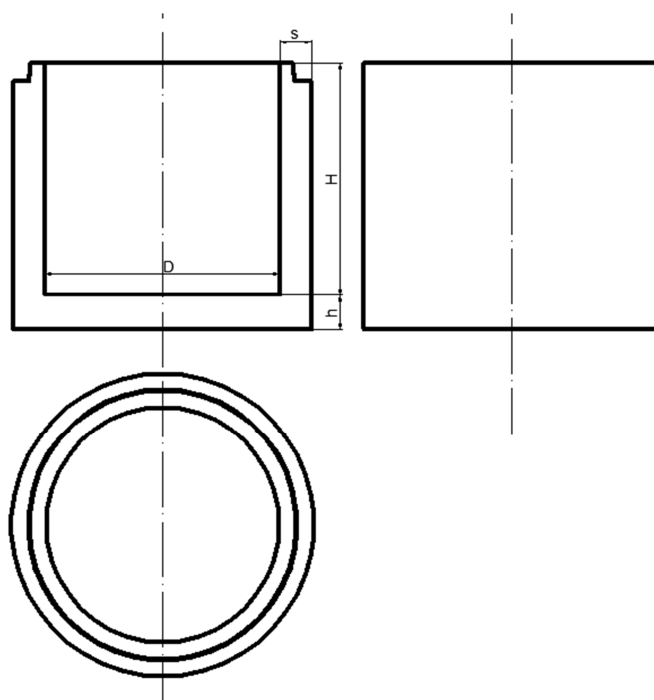


## Krąg DIN denny



### Parametry techniczne:

| średnica D [cm] | wysokość H [cm] | gr dna h [cm] | gr ścianki s [cm] | objętość betonu [m <sup>3</sup> ] | masa [kg] | pojemność [m <sup>3</sup> ] |
|-----------------|-----------------|---------------|-------------------|-----------------------------------|-----------|-----------------------------|
| 80              | 25              | 15            | 8                 | 0,131                             | 327       | 0,126                       |
| 80              | 50              | 15            | 8                 | 0,186                             | 465       | 0,251                       |
| 80              | 75              | 15            | 8                 | 0,241                             | 603       | 0,377                       |
| 80              | 100             | 15            | 8                 | 0,296                             | 741       | 0,502                       |
| 100             | 50              | 15            | 12                | 0,329                             | 822       | 0,393                       |
| 100             | 75              | 15            | 12                | 0,434                             | 1086      | 0,589                       |
| 100             | 100             | 15            | 12                | 0,540                             | 1349      | 0,785                       |
| 100             | 125             | 15            | 12                | 0,645                             | 1613      | 0,981                       |
| 100             | 150             | 15            | 12                | 0,751                             | 1877      | 1,178                       |
| 100             | 175             | 15            | 12                | 0,856                             | 2141      | 1,374                       |
| 100             | 200             | 15            | 12                | 0,941                             | 2352      | 1,531                       |
| 120             | 50              | 15            | 13,5              | 0,453                             | 1131      | 0,565                       |
| 120             | 75              | 15            | 13,5              | 0,594                             | 1485      | 0,848                       |
| 120             | 100             | 15            | 13,5              | 0,735                             | 1839      | 1,130                       |
| 120             | 125             | 15            | 13,5              | 0,877                             | 2192      | 1,413                       |
| 120             | 150             | 15            | 13,5              | 1,018                             | 2546      | 1,696                       |
| 150             | 50              | 15            | 15                | 0,654                             | 1634      | 0,883                       |
| 150             | 75              | 15            | 15                | 0,848                             | 2120      | 1,325                       |
| 150             | 100             | 15            | 15                | 1,042                             | 2605      | 1,766                       |
| 150             | 125             | 15            | 15                | 1,236                             | 3091      | 2,208                       |
| 150             | 150             | 15            | 15                | 1,431                             | 3577      | 2,649                       |

Beton: B40  
 Stopień mrozoodporności: F150  
 Nasiąkliwość betonu: 1,5 %  
 Wodoszczelność: W8